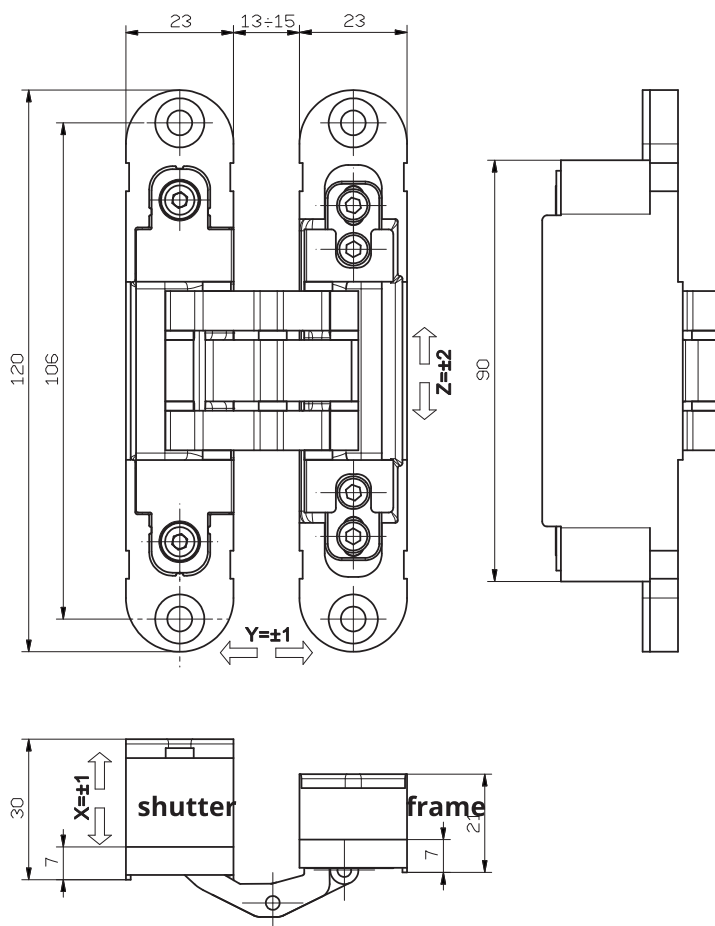


TECHNICAL SHEET

Concealed hinge for flush doors.

cod. **IN230120** (hinge) - cod. **GC230010** (caps)



Technical features

- The hinge is suitable to be installed on doors and frames in wood and aluminium.
- FIREPROOF certified 30'.
- Material of hinge: ZAMAK.
- Aluminum caps available to conceal the screws (Patent Pending).
- The hinge can be fitted right and left.
- Movement on 7 junction fulcrums equipped with bearing in plastic HT with high resistance and long life.
- Equipped with 3-way adjustments that can be settled by means of just one 3 mm hex-spanner.
- Compatible with millings of IN232120 and IN235120 hinges.

Technical data

Capacity*	60 Kg.
Hinge height	120 mm
width shutter side	23 mm
width frame side	23 mm
Depth shutter side	30 mm
Depth frame side	21 mm
Door opening angle	180°
Side adjustment	± 1 mm
Height adjustment	± 2 mm
Depth adjustment	± 1 mm

* Tested with 90x210 cm doors - For more information on the number of hinges to be used according to the weight and dimension of the door, please see the loading charts available on the website www.otlav.it.

Accessories

Caps GC230010

Finishing

Same than hinges

Finishing

The entered images are only on illustrative purpose.
Features and colours may differ from what represented.
Other finishing on demand.

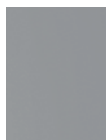
IN230120V702

Satinized silver
plated



IN230120H004

Zinc plated



IN230120VN02

Satinized Nickel
Plated



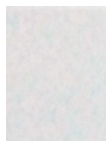
IN230120B002

Bronze plated



IN2301209P02

White matt
RAL9016

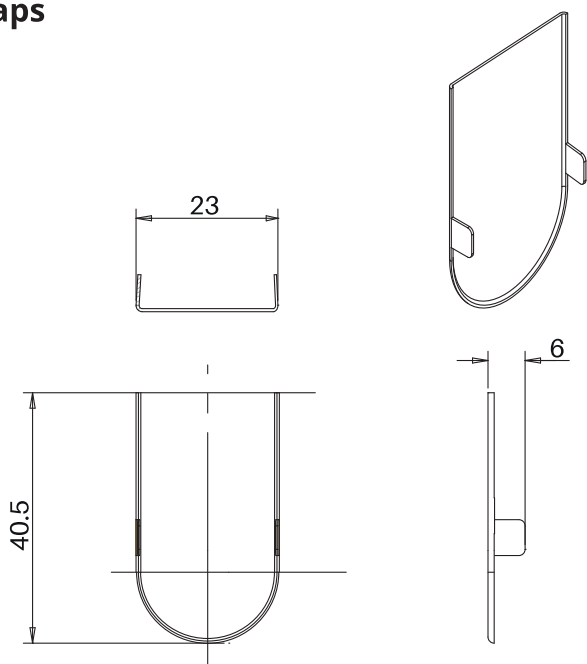


IN230120O802

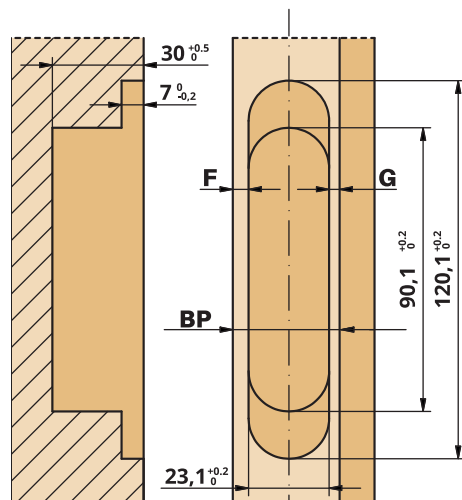
Polished gold



Caps



Milling on the shutter



mm

BP	F	G
30	4	3
31	4	4
32	4	5
33	4	6
34	4	7
35	4	8
36	4	9
37	4	10
38	4	11
39	4	12
40	4	13

Milling on the frame

